



Bill Acceptor

# S7ER

Installation Guide

International Currency Technologies Corp.

## **Use of Materials Limitations**

International Currency Technologies Corporation (ICT) all rights reserved.

All materials contained are the copyrighted property of ICT.

All trademarks, service marks, and trade names are proprietary to ICT.

ICT reserves the right at all times to disclose or to modify any information as ICT deems necessary to satisfy any applicable law, regulation, legal process or governmental request, or to edit, refuse to post or to remove any information or materials, in whole or in part, in ICT's sole discretion.

## Contents

<b>1. Introduction</b>	
1-1. Overview .....	2
1-2. Features .....	2
<b>2. Specifications .....</b>	<b>2</b>
<b>3. Packing List .....</b>	<b>3</b>
<b>4. Dimension .....</b>	<b>4</b>
<b>5. Installation</b>	
5-1. Harness Application .....	5
5-1-1. I/O Circuit .....	7
5-2. DIP Switch Setting .....	8
5-3. Software Download and Upgrade .....	8
<b>6. Maintenance .....</b>	<b>9</b>
<b>7. Troubleshooting</b>	
7-1. Bezel LED Errors .....	11
7-2. Back LED Errors .....	12

## 1. Introduction

### 1-1. Overview

S7ER is a bill acceptor which features RFID function. When machine is operating, the operating data of the module can be saved in the bill box ; and users can read the data from bill box through the optional device-Docking Station. Also, Docking Station can manage bill acceptor finance situation operations efficiently.

### 1-2. Features

- Four ways bill insertion acceptable.
- Auto calibration.
- Secure removable bill box with lock for 65 or 200 or 600 bills capacity.
- Power saving mode function.

## 2. Specifications

### *General*

**Acceptance Rate** 96% or greater

*Note: The incomplete bills such as extremely dirty, wet, broken, or wrinkled ones are excluded.*

**Bill Insertion** Four ways acceptable

**Transaction Speed** Approx. 3 seconds to stack

**Interface** Pulse, RS232

**Installation** Vertical/Indoor & Outdoor

## ***Electrical***

<b>Power Source</b>	12V DC (10.5~16V DC)
<b>Power Consumption</b>	Standby : 0.38A, 4.56W Operation: 2A, 24W Maximum: 2.5A, 30W Power Saving- Mode 1 : <70 $\mu$ A Mode 2 : <15 $\mu$ A
<b>Operation Environment</b>	Operation Temperature: -5°C~60°C Storage Temperature : -30°C~70°C Humidity: 30%~95%RH (no condensation)

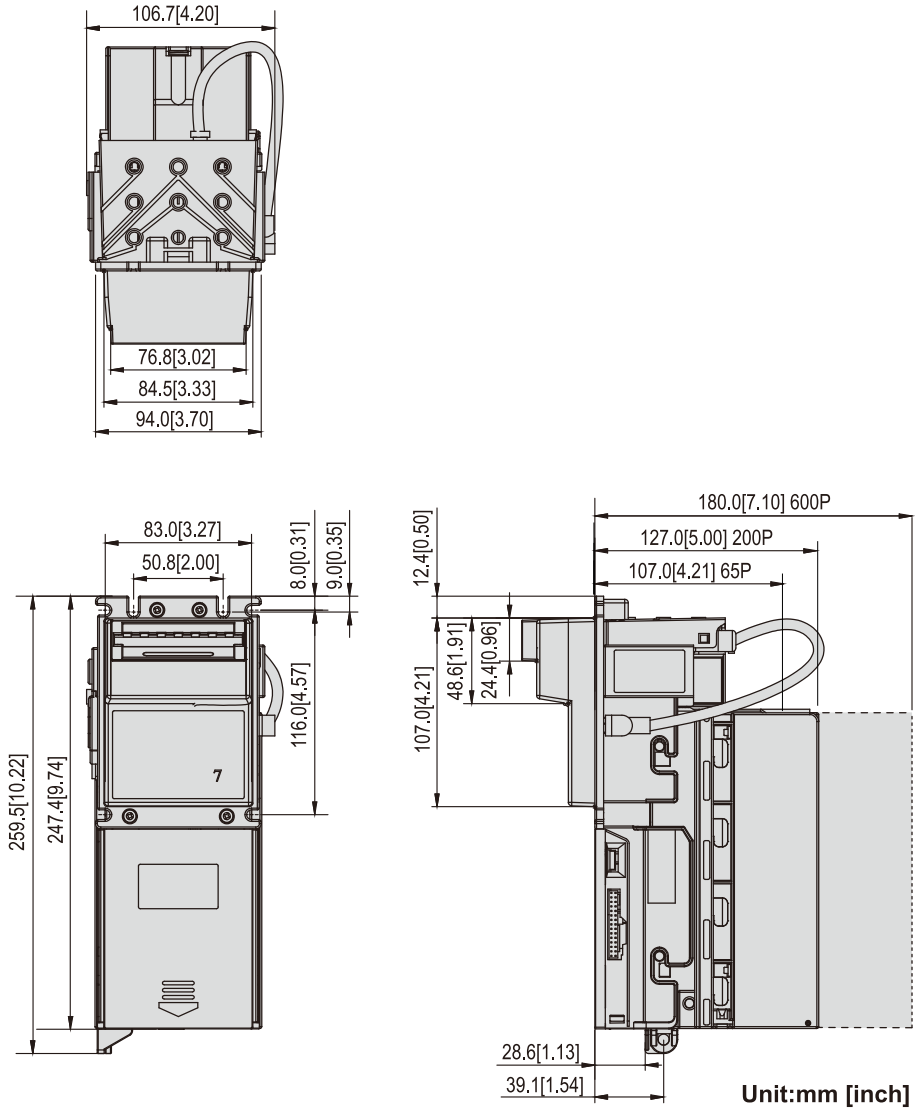
## ***Mechanical***

<b>Outline Dimension</b>	Refer to page.4
<b>Bill Capacity</b>	Approx. 65 bills 200 bills 600 bills
<b>Lock Type</b>	Tubular Lock & Padlock (Optional, $\varnothing$ 6mm)
<b>Weight</b>	Approx. 1.5kg
<b>Bill Accepted Width</b>	62~72mm

## **3. Packing List**

<b>Main</b>	Bill Acceptor
<b>Accessory</b>	S7ER Installation Guide S7ER DIP Switch Setting Guide A Pair of Keys (for Tubular lock)

## 4. Dimension



4 FIG.01

## 5. Installation

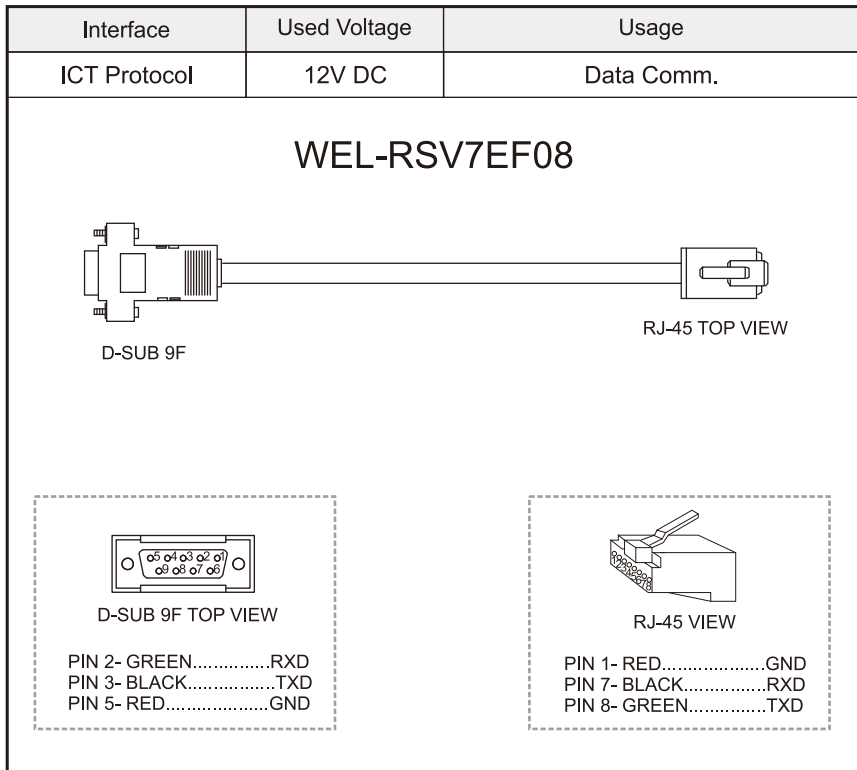
### 5-1. Harness Application

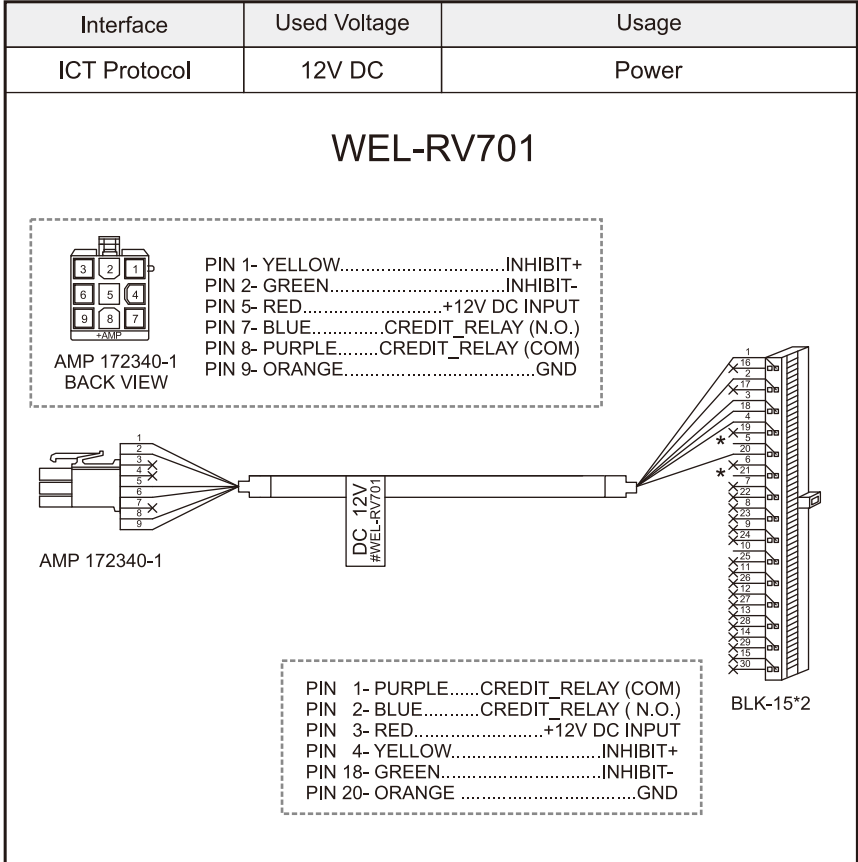
5-1 TABLE 01

Interface	Used Voltage	Mode	Usage	Harness	Page
ICT Protocol	12VDC	Normal	Data Comm.	WEL-RSV7EF08	5
			Power	WEL-RV701	6

\*Date Comm.:Data Communication.

5-1 FIG.01



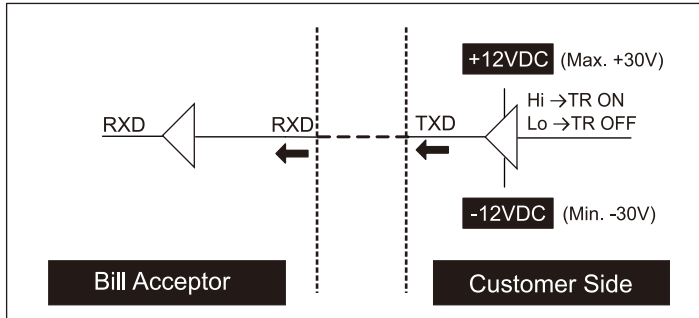
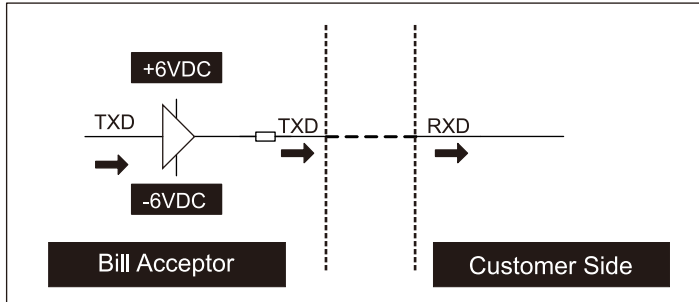




## 5-1-1. I/O Circuit

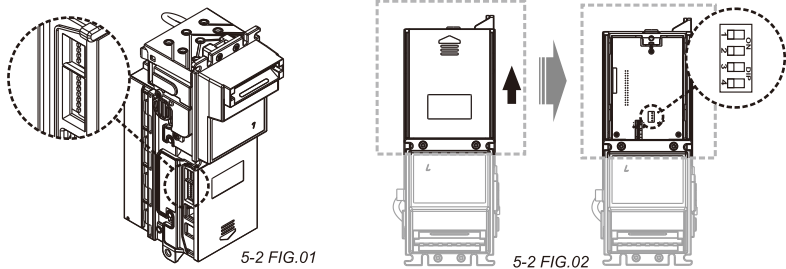
### RS232 Interface

5-1-1 FIG.01



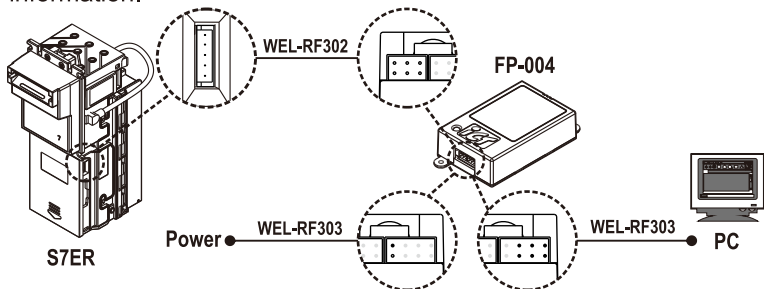
## 5-2. DIP Switch Setting

There are two serial DIP switches which are located on the side of S7ER(as 5-2 FIG.01). According to different currencies which are used by users, DIP switch settings could be varied to fit users' needs. Besides, there's also a serial DIP switches on CPU board inside of S7ER for interface settings(as 5-2 FIG.02). Please refer to "S7ER DIP Switch Setting" Guide in the package for more details.



## 5-3. Software Download and Upgrade

To download and upgrade the software to S7ER, the programmer (FP-004) is needed. Please contact ICT to purchase FP-004 and refer to FP-004 user guide for software download and upgrade information.



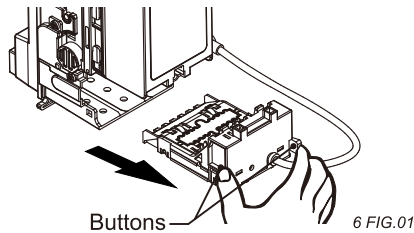
**Power must be applied to Bill Acceptor after connecting.**

## 6. Maintenance

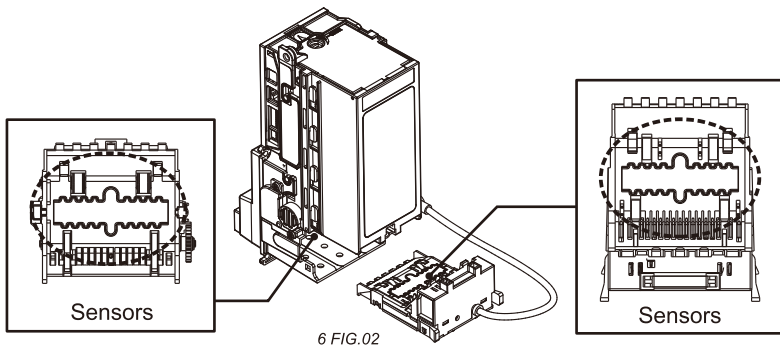
To make sure the bill acceptor always works smoothly, please clean the internal parts regularly.

To clean the internal parts:

1. Press the buttons on the sides of bill path and pull the unit out.



2. Use a soft, dry cloth, or towel to clean the bill path and sensors.



### Maintenance Notice

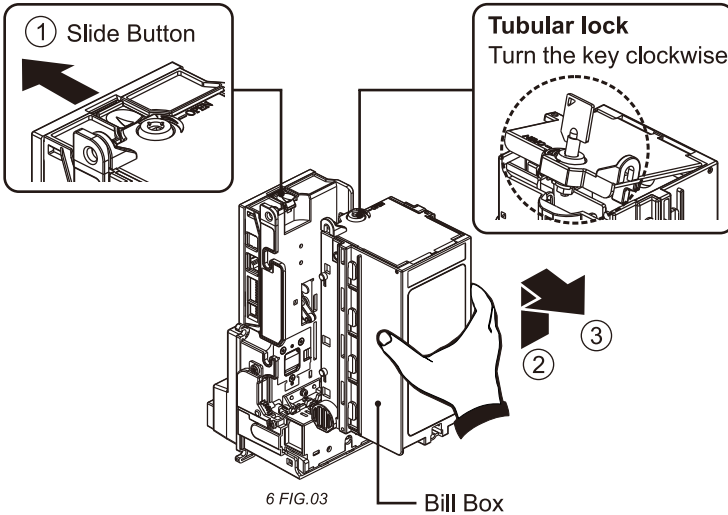
*(Any improper maintenance will result in invalid warranty.)*

<b>Recommended</b>	<b>Mild, non-abrasive, soap water.</b>
<b>DO NOT USE</b>	<b>Organic solvent , Alcohol, Volatile liquid.</b>



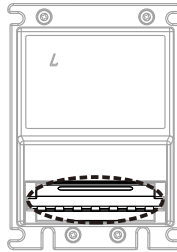
1. In order to ensure the data is correct in the bill box, please reboot after changing other bill boxes.

2. It needs to delete data and clean the bills in bill box for the changed bill box.



## 7. Troubleshooting

### 7-1. Bezel LED Errors



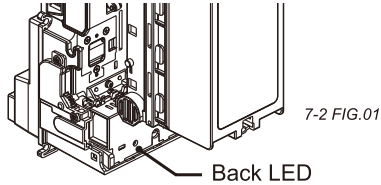
Bezel LED  
7-1 FIG.01

7-1 TABLE 01

LED Flashes		Status	Corrective Actions
Red	Green		
	1	White Card Calibration	Please calibrate with ICT white calibration card.
1		Bill jammed.	Remove the bill box by sliding the top button and the bill path (refer to page 10) , and then remove the jammed bill.
2		Disable	Inspect right DIP switch setting.
3		Recognition sensor error.	Inspect foreign objects on sensor or bill path and clean them.
3	1	Failure of optical anti-fishing	Clean the bill path for foreign objects and restart the Bill Acceptor.
3+2		Hook sensor error.	Inspect foreign objects on security hook and clean.
3+4		Out sensor error.	Inspect foreign objects on sensor or bill path and clean them.
4		Anti-string sensor error or a stringing attempt has detected.	Inspect foreign objects on sensor or bill path and clean them.
5		Bill box has been removed.	Replace the bill box.
6		Stacker error or bill box full.	Empty the bill box.
7		Motor error.	Inspect foreign objects on bill path and clean them.
8		RFID error.	Remove the bill box and then install it again.

**Note:** 3+1 status indicates LED repeatedly flashes 3 and 1 times.

## 7-2. Back LED Errors



7-2 TABLE 01

LED Flashes	Status	Corrective Actions
Green		
1	White Card Calibration	Please calibrate with ICT white calibration card.
1	Bill jammed.	Remove the bill box by sliding the top button and the bill path (refer to page 10) , and then remove the jammed bill.
2	Disable	Inspect right DIP switch setting.
3	Recognition sensor error.	Inspect foreign objects on sensor or bill path and clean them.
3+1	Failure of optical anti-fishing	Clean the bill path for foreign objects and restart the Bill Acceptor.
3+2	Hook sensor error.	Inspect foreign objects on security hook and clean.
3+4	Out sensor error.	Inspect foreign objects on sensor or bill path and clean them.
4	Anti-string sensor error or a stringing attempt has detected.	Inspect foreign objects on sensor or bill path and clean them.
5	Bill box has been removed.	Replace the bill box.
6	Stacker error or bill box full.	Empty the bill box.
7	Motor error.	Inspect foreign objects on bill path and clean them.
8	RFID error.	Remove the bill box and then install it again.



**If the error can not be solved after corrective actions or happen again, please contact ICT for technical support.**

**ict** Taiwan

**International Currency Technologies Corporation**

No.28, Ln. 15, Sec. 6, Minquan E. Rd., Neihu Dist., Taipei City 114, Taiwan

[sales@ictgroup.com.tw](mailto:sales@ictgroup.com.tw) (For Sales)

[fae@ictgroup.com.tw](mailto:fae@ictgroup.com.tw) (For Customer Service)

Website: [www.ictgroup.com.tw](http://www.ictgroup.com.tw)

