



BCA
Bill/Coin *Series*
Combo Acceptor
Installation Guide



Use of Materials Limitations

International Currency Technologies Corporation (ICT) all rights reserved.
All materials contained are the copyrighted property of ICT.
All trademarks, service marks, and trade names are proprietary to ICT.

ICT reserves the right at all times to disclose or to modify any information as ICT deems necessary to satisfy any applicable law, regulation, legal process or governmental request, or to edit, refuse to post or to remove any information or materials, in whole or in part, in ICT's sole discretion.

Contents

1. Introduction.....	2
1-1. Overview.....	2
1-2. Features.....	2
2. Specifications.....	2
General.....	2
Electrical.....	3
Mechanical.....	3
Currency.....	3
3. Packing List.....	4
4. Dimension.....	5
5. Installation.....	6
5-1. How to Install?.....	6
5-2. Harness Application.....	8
5-2-1. Connector.....	8
5-3. I/O Circuits.....	10
5-4. DIP Switch Setting.....	11
5-5. Firmware Upgrade.....	11
6. Maintenance.....	12
7. Troubleshooting.....	14

1. Introduction

1-1. Overview

ICT devotes to increase customer's profit via a compact device accepting low-denomination bill & popular used coin simultaneously. This allows end-users to change their credits, not only via coins but also bills, for gaming applications.

1-2. Features

- accept bill & coin in a single device
- similar size as a coin acceptor
- fully compatible device mounting to a coin acceptor

2. Specifications

General

Acceptance Rate:	96% or greater
Accepting Speed:	Approx. 2 coin/s, 3 s/bill
Interface:	Pulse
Coin Parameters:	Bill width: 66 mm (for S/N: xxBCA-xxBxxxxxxxxx) 72 mm (for S/N: xxBCA-xxAxxxxxxxxx) Coin width: 20-28 mm Coin thickness: 1.5-2.0 mm (for S/N: xxBCA-xxxAxxxxxxxxx) 1.5-2.3 mm (for S/N: xxBCA-xxxBxxxxxxxxx)



Installation: Indoor use only!!

Electrical

Power Source:	12V DC (±10% DC)
Power Consumption:	Standby : 0.1 A Operation: 0.7 A Maximum: 4 A
Operation Environment:	Operation Temperature: 0 ~ +55 °C Storage Temperature : -10 ~ +60 °C Humidity: 30~85 % RH (no condensation)

Mechanical

Outline Dimension:	Refer to page. 4
Net Weight:	Approx. 0.55 kg

currency

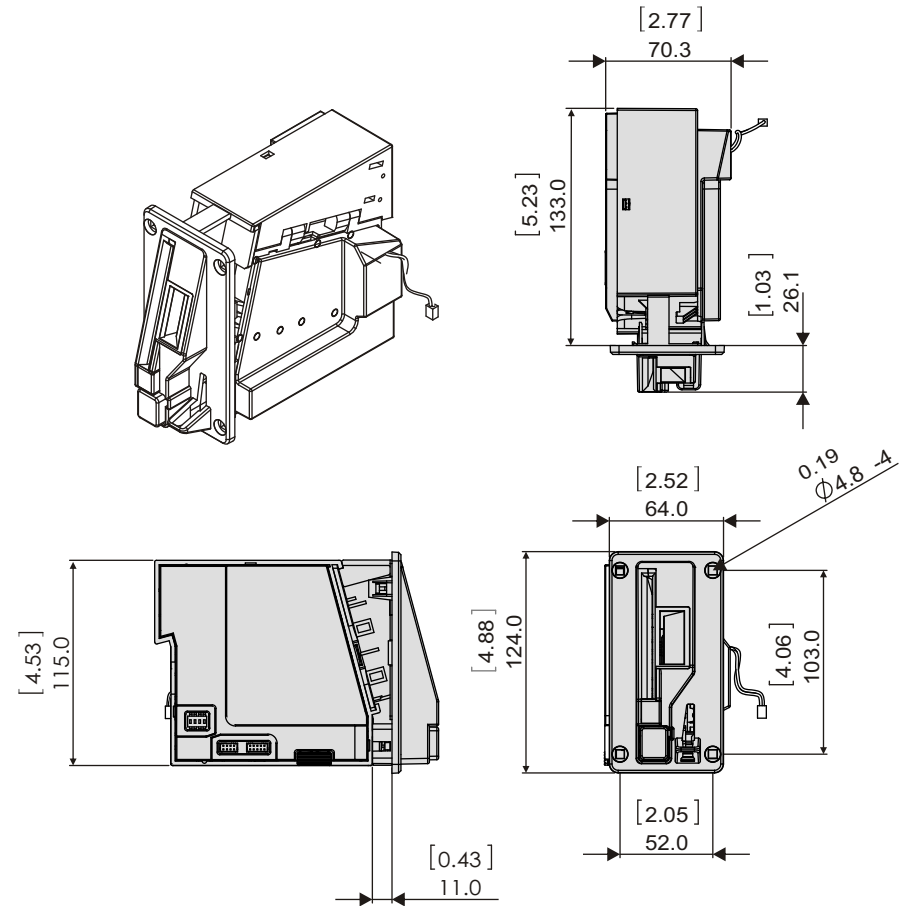
Refer to ICT website for the latest currency compatibility

3. Packing List

- Main:** BCA Series Bill/Coin Combo Acceptor
- Accessory:** Harnesses: Refer to 5-2
BCA Series Installation Guide

4. Dimension

Figure 1



Unit : mm [inch]

5. Installation

5-1. How to Install?

Separate the bezel from the device body's 2 clips as marked by ring shape & fix the bezel by using 4 screws; connect the bezel & device body then after screw fixing.

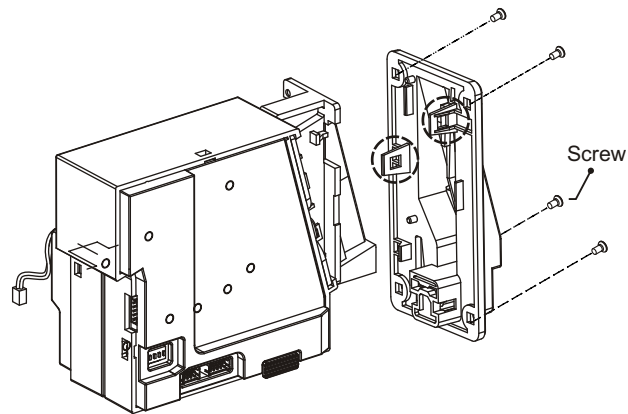


Figure 2

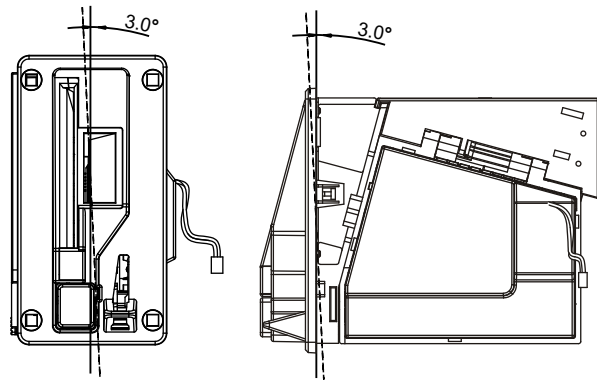


Figure 3



BCA Series is not supposed to be aslope over 3°.

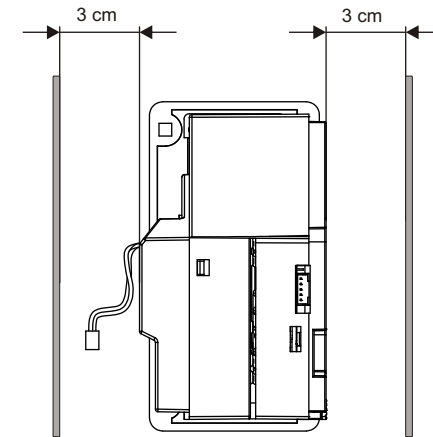


Figure 4



Please reserve 3 cm from both-side of BCA

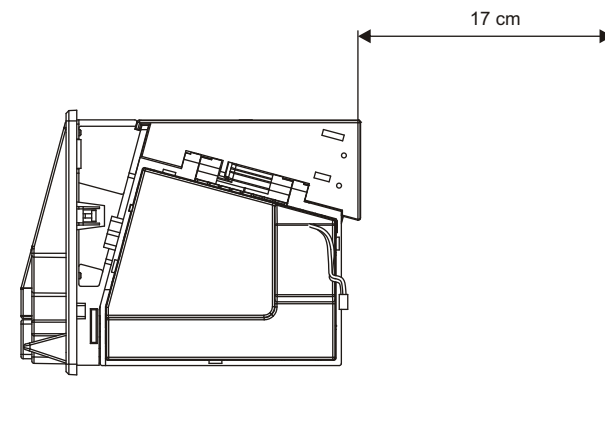


Figure 5



Please reserve 17 cm from backside of BCA for bill smoothly dispensing.

5-2. Harness Application

5-2-1. Connector

▪ **BCA**

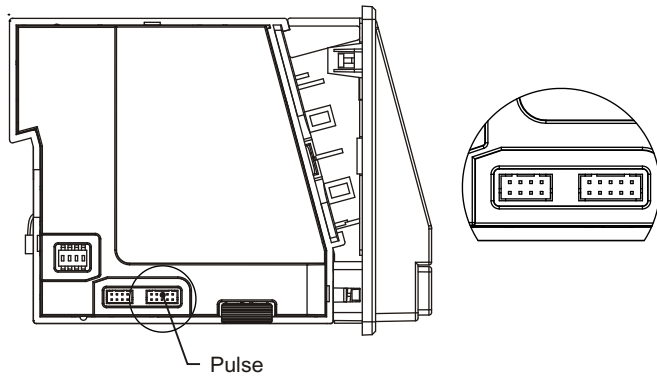


Figure 6

Table 2

Interface	Used Voltage	Usage	Harness	Page
Pulse	DC 12 V	Power & *Data Comm.	WEL-RNBC05	9

*Data Comm.: Data Communication.

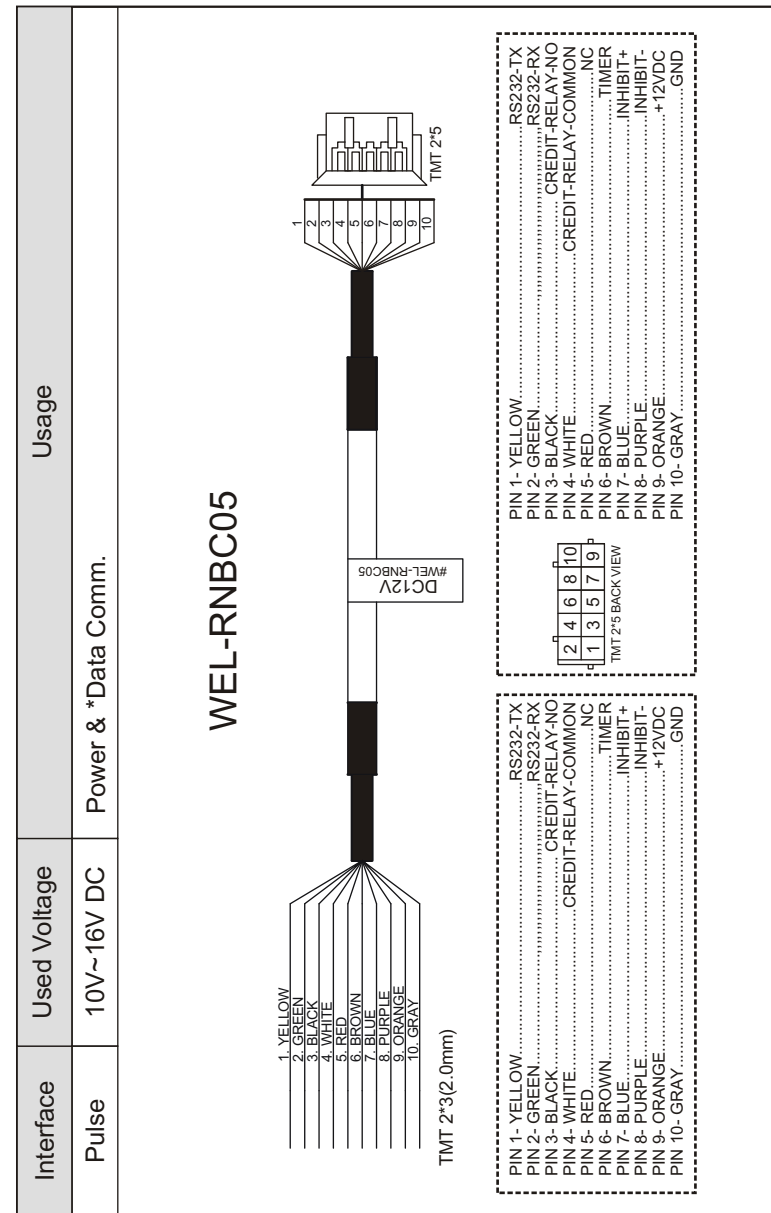
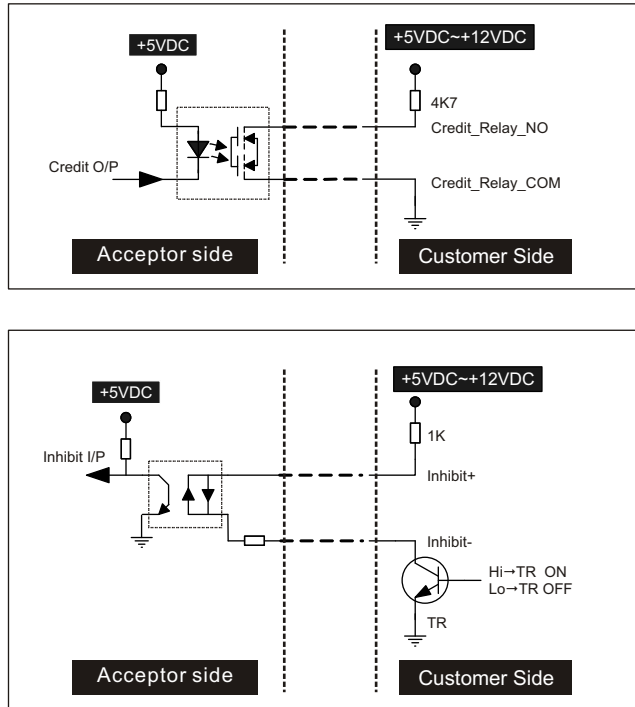


Figure 7

5-3. Harness Application

Pulse Interface.

Figure 8



5-4. DIP Switch Setting

The DIP-switch locating on side of BCA defines the BA/CA function, inhibit and pulse statuses as shown in the table.

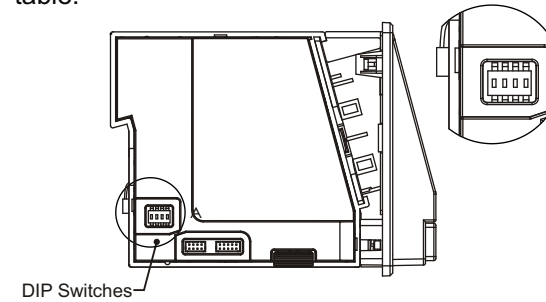


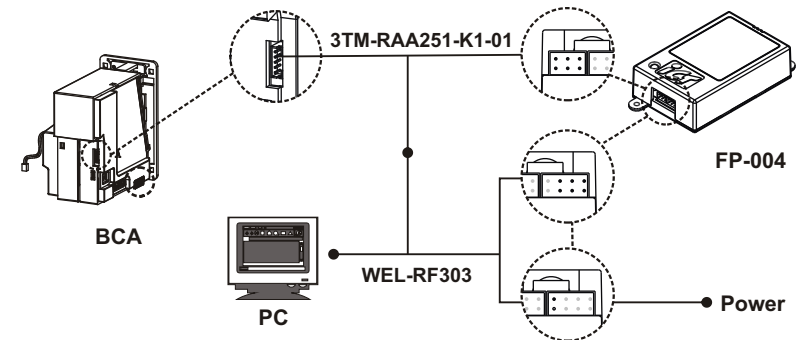
Figure 9

5-5. Firmware Upgrade

Updating BCA device shall refer to the manual of FP-004 programmer provided by ICT.

◆ FP-004

Figure 10



Apply power to BCA device only after connecting.

6. Maintenance

Clean the internal sensors regularly to ensure BCA series acceptor work normally.

To clean the internal sensors:

1. Separate the bezel from device body by releasing the mounting 2 clips.

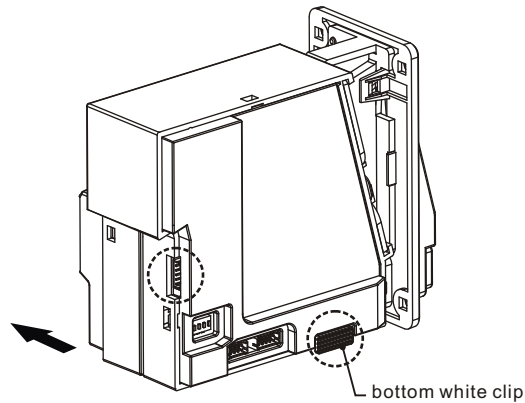


Figure 11

2. Push the bottom white clip and lift up the upper base at the coin-side

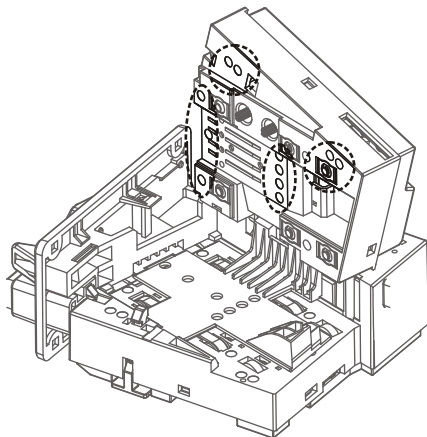


Figure 12

3. Use a soft, dry cloth, or towel to clean lens as marked by ring shape.

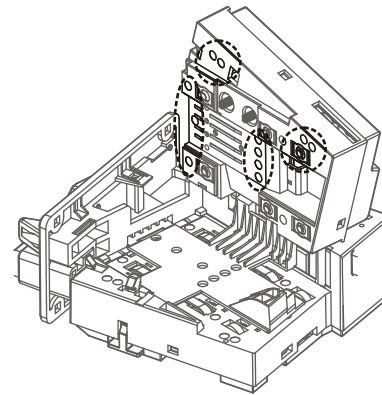
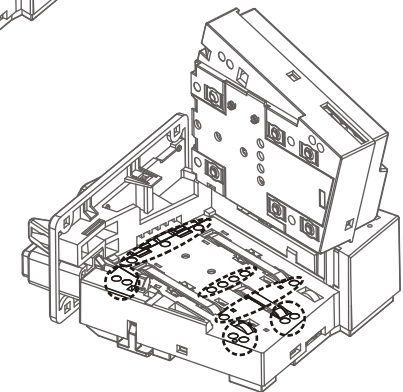



Figure 13



	Maintenance Notice	
	<i>(Any improper maintenance will result invalid warranty.)</i>	
Recommended	Mild, non-abrasive, soap water.	
DO NOT USE	Organic solvent , Alcohol, Volatility liquid.	

7. Troubleshooting

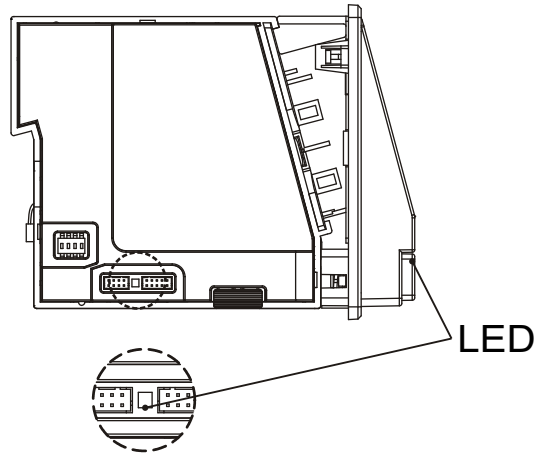


Figure 14

Table 3

LED Flashes			Status	Corrective Actions
Green	Orange	Red		
1	0	0	normal	BA & CA work fine
2	1	0	only BA work	open top-base of BCA to inspect & then reset
3	1	0	only CA work	
0	0	1	Bill/Coin jam	take bill/coin out & reset device
0	0	2	Disable	check fw of control board
0	0	3	Sensor error	remove foreign objectives in bill/coin path & reset device
0	0	4	Fish error	
0	0	7	Motor error	call ICT or agent for technical support

ict Taiwan
International Currency Technologies Corporation

Ji-Hong Building, No 24, Alley 38, Lane 91, Nei-hu Rd., Sec. 1, Taipei, Taiwan, R.O.C.

Tel: 886-2-2797-1238 · Fax: 886-2-2797-1634

sales@ictgroup.com.tw (For Sales)

rma@ictgroup.com.tw (For Customer Service)

Website: www.ictgroup.com.tw



If the error can not be solved after corrective actions or happens again, please contact ICT or agents for technical support.