



Coin Hopper
SMH

Super Mini Hopper
Installation Guide



Use of Materials Limitations

International Currency Technologies Corporation (ICT) all rights reserved.

All materials contained are the copyrighted property of ICT.

All trademarks, service marks, and trade names are proprietary to ICT.

ICT reserves the right at all times to disclose or to modify any information as ICT deems necessary to satisfy any applicable law, regulation, legal process or governmental request, or to edit, refuse to post or to remove any information or materials, in whole or in part, in ICT's sole discretion.

Contents

1. Introduction	
1-1. Overview.....	2
1-2. Features.....	2
2. Specifications.....	3
3. Packing List.....	4
4. Model Number Configuration.....	5
5. Dimension.....	6
5-1. Adjustment Coin Dimensions.....	8
6. Installation	
6-1. Connection.....	10
6-2. Credit Output Setting.....	11
6-3. I/O Circuit.....	12
6-4. Heightening Coin Box Installation.....	14
7. Maintenance.....	15

1. Introduction

1-1. Overview

Super Mini Hopper is a single denomination coin dispensing unit. Users can adjust coin dimension with different coin adjustment points. The design of Super Mini Hopper is easy operated, trouble-free and high reliable.

1-2. Features

- Double sensors, double protection.
- Easy maintenance.
- Easy installation.
- Coin size adjustable.
- Advanced coin low level detection.
- Compact design with enormous capacity.

2. Specifications

General

Dispensing Speed	12V DC: 5~7 coin/second 24V DC: 8~10 coin/second
Counting Method	Obstruct Sensor
Interface	Hopper Mode
Installation	Indoor

Electrical

Power Source	SMH-125XX: 12V DC $\pm 5\%$ SMH-245XX: 24V DC $\pm 5\%$
Power Consumption	Standby: 5mA Max: 4A
Operation Environment	Storage Temperature: $-30^{\circ}\text{C}\sim 70^{\circ}\text{C}$ Operating Temperature: $5^{\circ}\text{C}\sim 40^{\circ}\text{C}$

Mechanical

Coin Capacity (coins)	Coin Box: Approx.550 Heighten Coin Box: Approx.500
Low Level Coins	Coin Box: Approx.50 coins
Outline Dimension	Refer to page. 6
Net Weight	Approx. 1.04 kg

Applicable Coin Size

A Type
(Diameter) 20 mm~25 mm
(Thickness) 1.6 mm~2.4 mm

B Type
(Diameter) 26 mm~30 mm
(Thickness) 1.5 mm~2.0 mm

C Type
(Diameter) 20 mm~23 mm
(Thickness) 1.5 mm~2.1 mm

D Type
(Diameter) 20 mm~25 mm
(Thickness) 2.4 mm~3.3 mm

3. Packing List

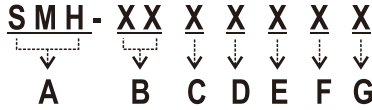
Main

Super Mini Hopper

Accessory

Harnesses: Refer to 6-1
Super Mini Hopper Installation Guide

4. Model Number



A. Model Type:

4 TABLE 01

SMH	Super Mini Hopper
-----	-------------------

B. Voltage:

4 TABLE 02

12	12V DC
24	24V DC

C. Control Board:

4 TABLE 03

1	Non Control Board
2	Control Board

D. Coin Box:

4 TABLE 04

2	Coin Box (A2905B-R)
1	Coin Box (A2685C-R)

E. Interface:

4 TABLE 05

H	Hopper Mode
---	-------------

F. Applicable Coin Size:

4 TABLE 06

A	A Type
B	B Type
C	C Type
D	D Type

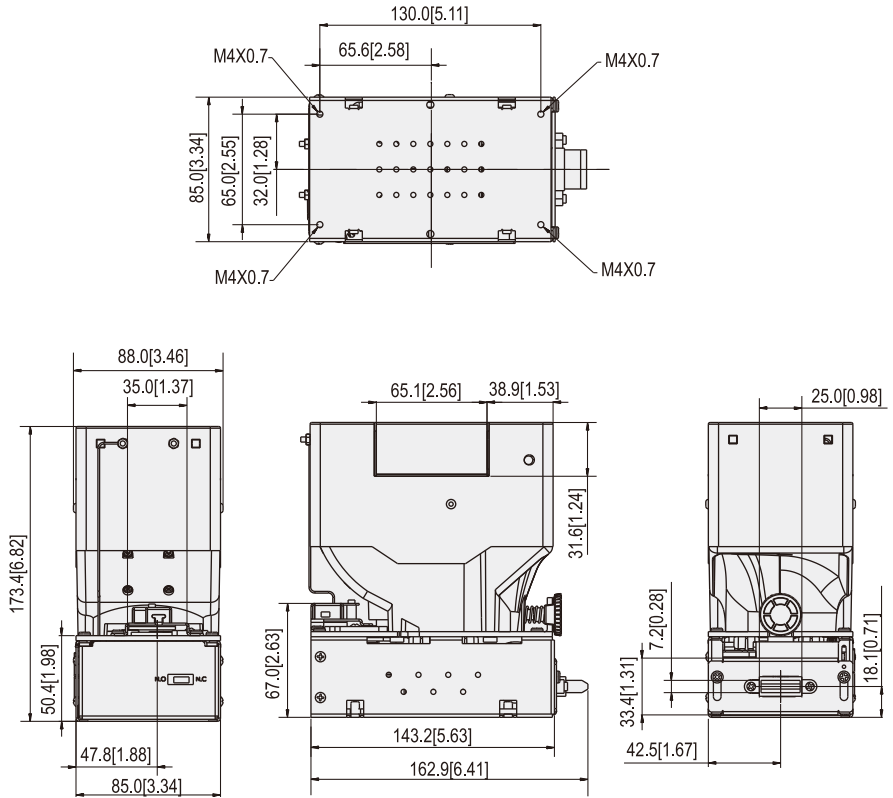
G. Signal Wire Specification:

4 TABLE 07

1	Hi Level Signal Wire Length 30cm
A	Non Hi Level Signal Wire
B	Non Hi Level Signal Wire & Low Level Signal Wire

5. Dimension

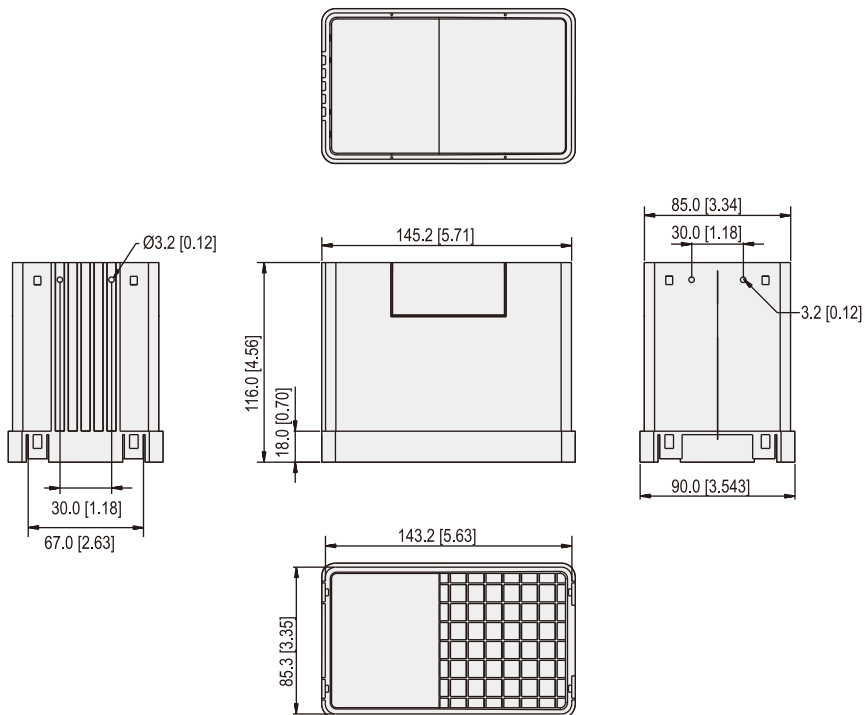
Coin Box



Unit : mm [inch]

5 FIG.01

Heighten Coin Box



Unit : mm [inch]

5 FIG.02

5-1. Adjustment Coin Dimensions

5-1 TABLE01

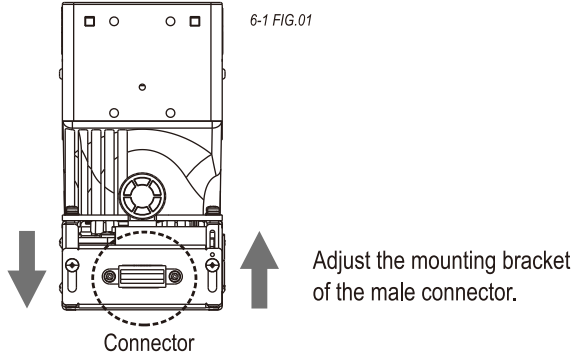
Model Type	Applicable Coin Size	
Type A	Diameter: 20mm~25mm Thickness: 1.6mm~2.4mm	
20mm	Diameter 20mm~22mm	
	Thickness 1.6mm~2.4mm	
22mm	Diameter 22mm~24mm	
	Thickness 1.6mm~2.4mm	
24mm	Diameter 24mm~25mm	
	Thickness 1.6mm~2.4mm	
Type B	Diameter: 26mm~30mm Thickness: 1.5mm~2.0mm	
26mm	Diameter 26mm~28mm	
	Thickness 1.5mm~2.0mm	
28mm	Diameter 28mm~30mm	
	Thickness 1.5mm~2.0mm	
30mm	Diameter 30mm	
	Thickness 1.5mm~2.0mm	

5-1 TABLE02

Model Type	Applicable Coin Size	
Type C	Diameter: 20mm~23mm	
	Thickness: 1.5mm~2.1mm	
20mm	Diameter 20mm~22mm	
	Thickness 1.5mm~2.1mm	
22mm	Diameter 22mm~23mm	
	Thickness 1.5mm~2.1mm	
Type D	Diameter: 20mm~25mm	
	Thickness: 2.4mm~3.3mm	
20mm	Diameter 20mm~22mm	
	Thickness 2.4mm~3.3mm	
22mm	Diameter 22mm~23mm	
	Thickness 2.4mm~3.3mm	
24mm	Diameter 24mm~25mm	
	Thickness 2.4mm~3.3mm	

6. Installation

6-1. Connection



6-1 FIG.02

Interface	Used Voltage	Usage
Pulse	12V/ 24V DC	Power & *Data Comm.

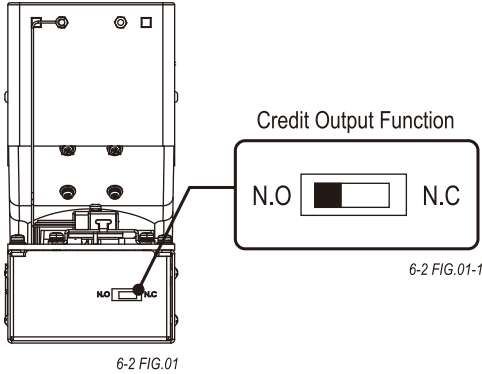
WEL-RHP21

CNT-A016

CNT-A016 BACK VIEW

PIN 1- BLACK	MOTOR-
PIN 3- ORANGE	VDC
PIN 5- YELLOW	SENSOR OUPUT
PIN 7- GREEN	GND
PIN 8- BLUE	COIN_LO_LEVEL
PIN 9- RED	MOTOR+
PIN 11- PURPLE	COIN_HI_LEVEL
PIN 14- WHITE	CASE GND
PIN 16- GRAY	CASE GND

6-2. Credit Output Setting



Credit Output Setup:

6-2 TABLE 01

Credit Output Setup	
N.C	Normal Low
★ N.O	Normal High

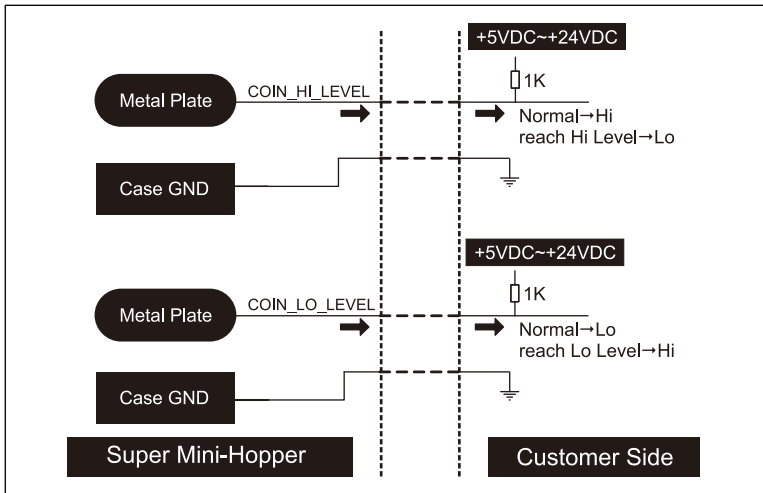
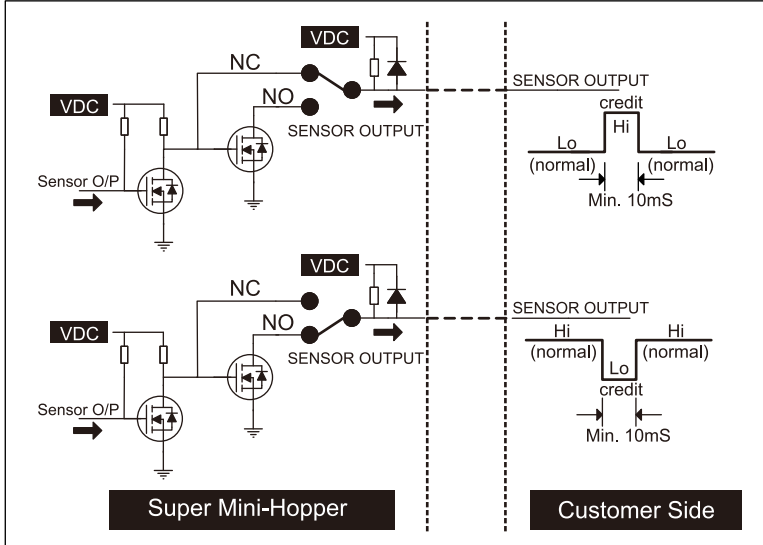
(★) Default



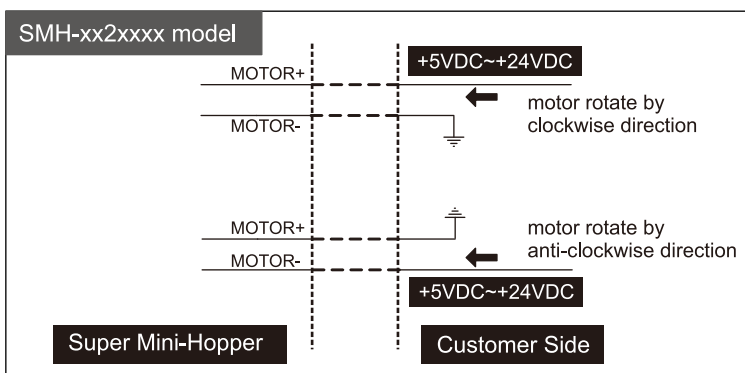
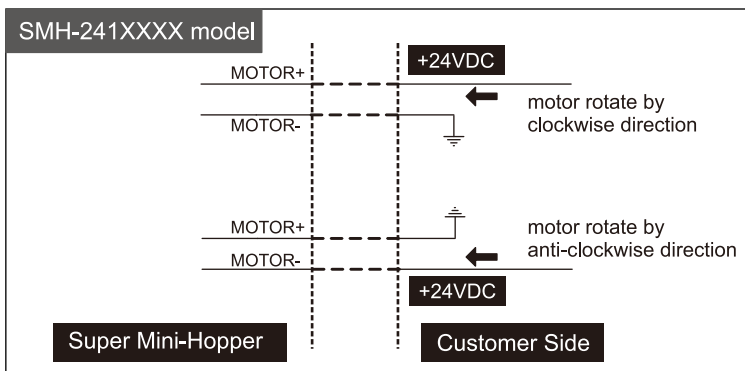
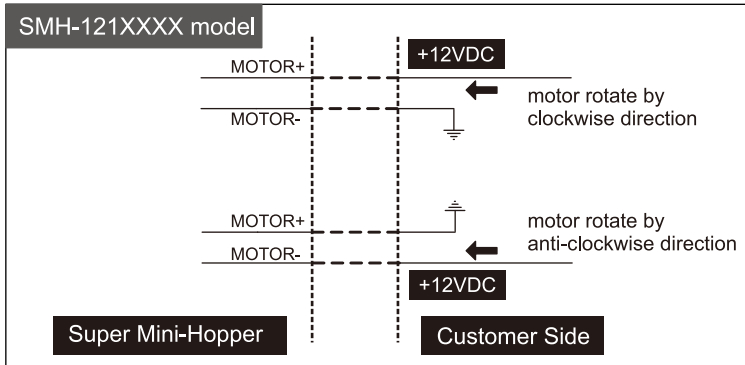
Please setup credit voltage according to input voltage, the default value is suggested; for exceptions, please contact ICT.

6-3. I/O Circuit

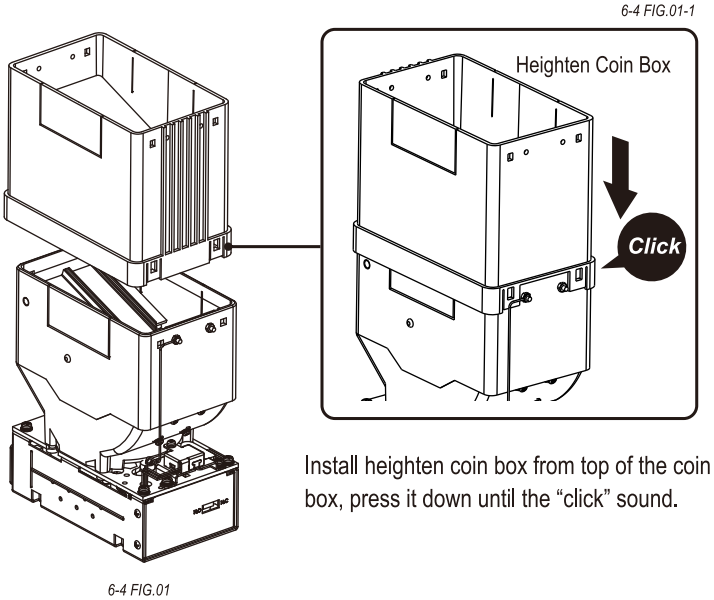
6-3 FIG.01




6-3 FIG.02



6-4. Heighten Coin Box Installation



Install heighten coin box from top of the coin box, press it down until the “click” sound.

 The Heighten Coin Box is an optional part, for purchasing, please contact ICT.

7. Maintenance

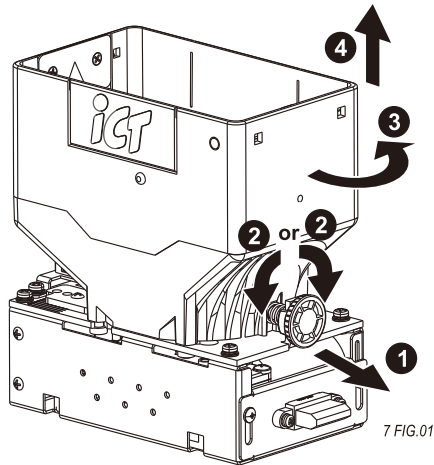
To make sure Super Mini Hopper always works smoothly, please clean the internal parts from every two weeks to every two months.



Please make sure Super Mini Hopper is OFF before cleaning.

To clean the internal parts:

1. Remove the coin box. (As figure below)
2. Use a dry, soft cloth or brush to clean internal parts and coin path.
3. Use a dry, soft cloth or towel to clean the coin box.



Maintenance Notice

(Any improper maintenance will result invalid warranty.)

Recommended	Mild, non-abrasive, soap water.
-------------	---------------------------------

DO NOT USE	Organic solvent , Alcohol, Volatile liquid.
------------	---

ict Taiwan

International Currency Technologies Corporation

No.28, Ln. 15, Sec. 6, Minquan E. Rd., Neihu Dist., Taipei City 114, Taiwan

sales@ictgroup.com.tw (For Sales)

fae@ictgroup.com.tw (For Customer Service)

Website: www.ictgroup.com.tw

