



Bill Acceptor

LX7-A

Installation Guide



Use of Materials Limitations

International Currency Technologies Corporation (ICT) all rights reserved.

All materials contained are the copyrighted property of ICT.

All trademarks, service marks, and trade names are proprietary to ICT.

ICT reserves the right at all times to disclose or to modify any information as ICT deems necessary to satisfy any applicable law, regulation, legal process or governmental request, or to edit, refuse to post or to remove any information or materials, in whole or in part, in ICT's sole discretion.

Contents

1. Introduction	
1-1. Overview	2
1-2. Features	2
2. Specifications	2
3. Packing List	4
4. Dimension	5
5. Installation	
5-1. Harness Application	8
5-1-1. I/O Circuit	16
5-2. DIP Switch Setting	19
5-3. Software Download and Upgrade	19
6. Maintenance	20
7. Troubleshooting	
7-1. Bezel LED Errors	21
7-2. Back LED Errors	22

1. Introduction

1-1. Overview

LX7-A is a bill acceptor feature the water drainage path to offer maximum protection against water and humidity.

1-2. Features

- Four-way bill insertion acceptance.
- Safe lock removable and 200 or 600 bills box capacity.
- Selective lock between plastic knob and tubular lock.

2. Specifications

General

Acceptance Rate 96% or greater

Note: The acceptance rate excludes notes that are dirty, wet, broken or wrinkled.

Interface	Pulse
	V2.2,
	NISR
	ccTalk
	RS232 A0
	ICT Protocol <RS232>

Transaction Speed Approx. 3 seconds to stack

Bill Insertion Four-way acceptable

Electrical

Power Source 12V DC
 117V AC

Power Consumption 12V DC- Standby : 0.3A, 4W
 Operation: 0.8A, 10W
 Maximum: 2.5A, 30W
117V AC- Standby : 63mA, 7W
 Operation: 0.12A, 13.5W
 Maximum: 0.27A, 30W

Operation Environment Operation Temperature: -15°C~60°C
 Storage Temperature: -30°C~70°C
 Humidity: 30%~85% RH(no condensation)

Mechanical

Bill Accepted Width 62~72mm

Bill Capacity Approx. 200
 Approx. 600 bills

Lock Type Plastic Knob
 Tubular lock(Customize)

Weight	Approx. 1.25kg
Outline Dimension	Bezel- Refer to page.5 Plastic knob- Refer to page.6 Tubular lock- Refer to page.7



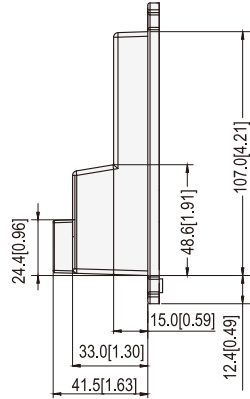
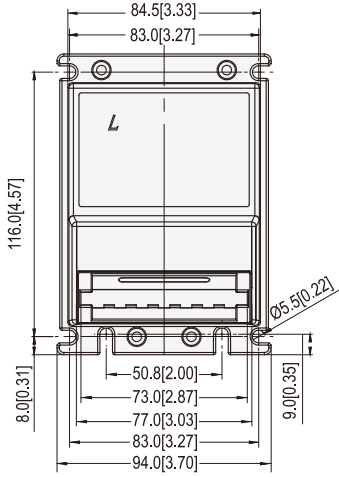
Installation: Indoor use only!!

3. Packing List

Main	Bill Acceptor
Accessory	Harness: Refer to 5-1 LX7-A Installation Guide LX7-A DIP Switch Setting Guide A Pair of keys (For tubular lock only)

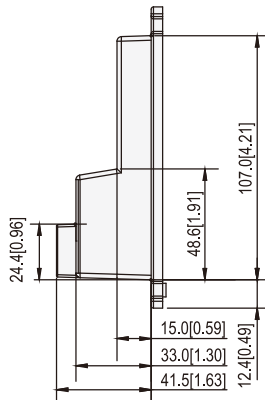
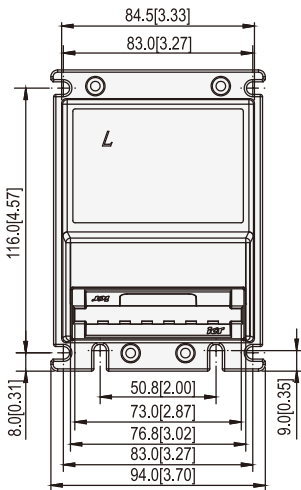
4. Dimension

Double Open-end Standard Bezel
Part Number: 3ZMB-FAC37000



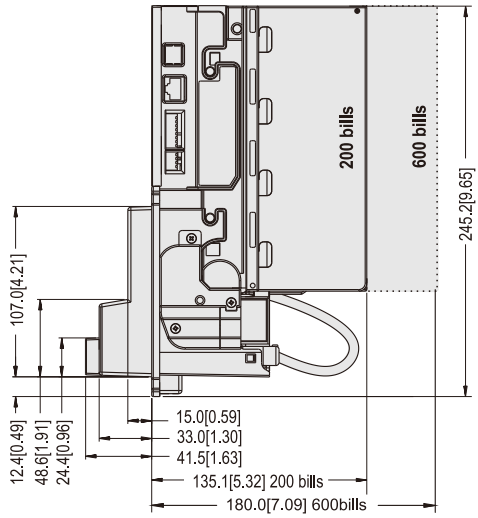
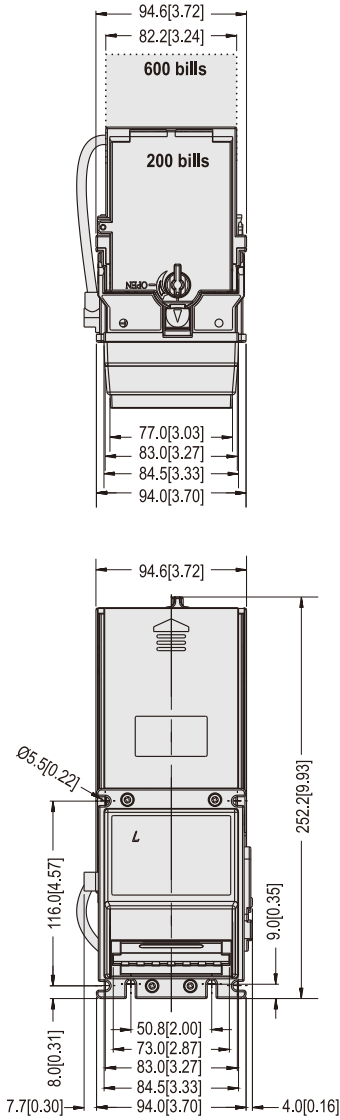
Unit : mm [inch]
4 FIG.01

Double Open-end Metal Bezel
Part Number: 3ZMB-FAC66000



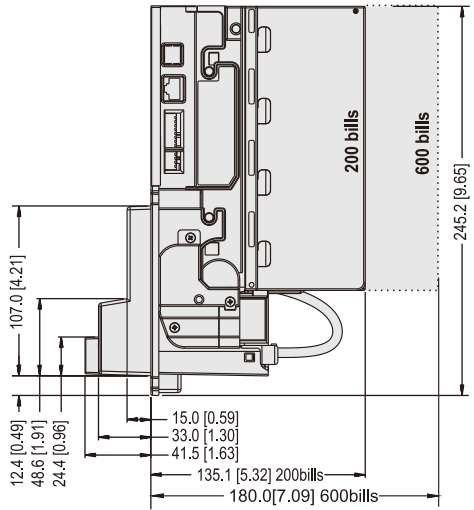
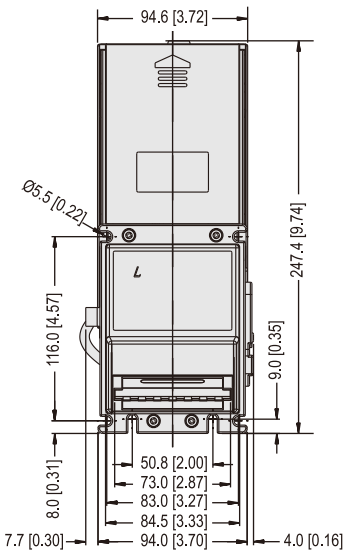
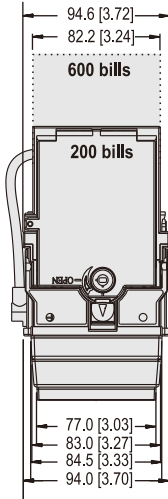
Unit : mm [inch]
4 FIG.02

Plastic Knob



Unit : mm [inch]
4 FIG.02

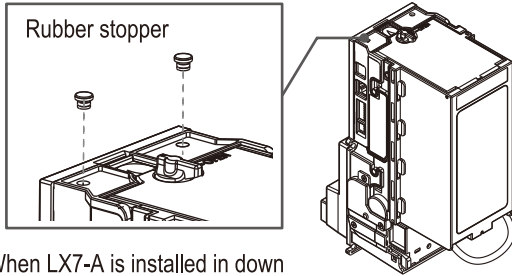
Tubular lock



Unit : mm [inch]

4 FIG.03

5. Installation



5 FIG.01



When LX7-A is installed in down stacker direction, please remove the rubber stopper.

5-1. Harness Application

5-1 TABLE 01

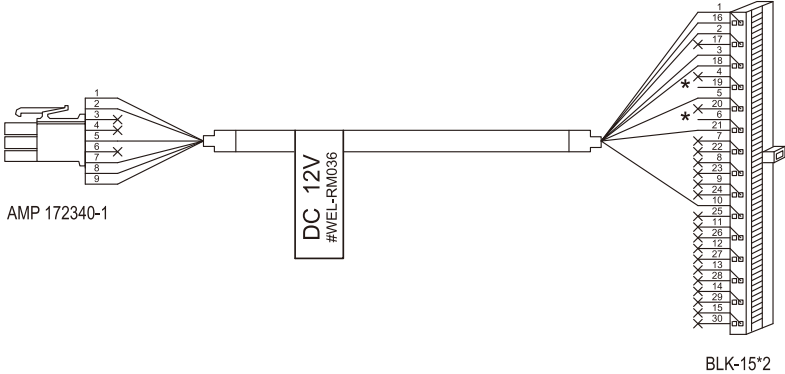
Interface	Used Voltage	Usage	Harness	Page
Pulse	12V DC	Power & *Data Comm.	WEL-RM036	9
		Extension Wire	CU-R961-1	10
Pulse	117V AC	Power & *Data Comm.	WEL-RM035	10
		Extension Wire	WEL-RM012	11
ICT Protocol V2.2	12V DC	*Data Comm.	WEL-RV706-1 or 2-BA-RV706	11
		Power	WEL-RM036	9
		Extension Wire	CU-R961-1	10
NISR	117V AC	Power & *Data Comm.	2-BA-RM037	12
RS232 A0	12V DC	*Data Comm.	WEL-RV706-1 or 2-BA-RV706	11
		Power	WEL-RM036	9
		Extension Wire	CU-R961-1	10
ccTalk	12V DC	Power & *Data Comm.	WEL-RM039	13


*Data Comm.: Data Communication

5-1 FIG.01

Interface	Used Voltage	Usage
Pulse	12V DC	Power & *Data Comm.
ICT Protocol, V2.2	12V DC	Power
RS232 A0	12V DC	Power

WEL-RM036





 AMP 172340-1
 BACK VIEW

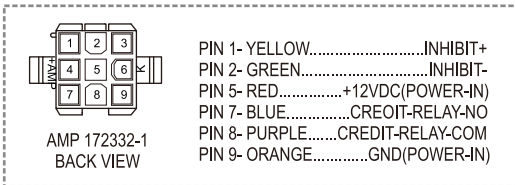
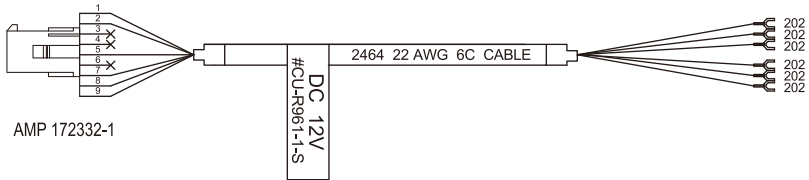
PIN 1- YELLOW.....INHIBIT+
PIN 2- GREEN.....INHIBIT-
PIN 5- RED&BLACK.....12V DC(Power)
PIN 7- BLUE.....CREDIT_RELAY (N.O.)
PIN 8- PURPLE.....CREDIT_RELAY (Common)
PIN 9- BROWN & WHITE.....GND(Power)

BLK-15*2

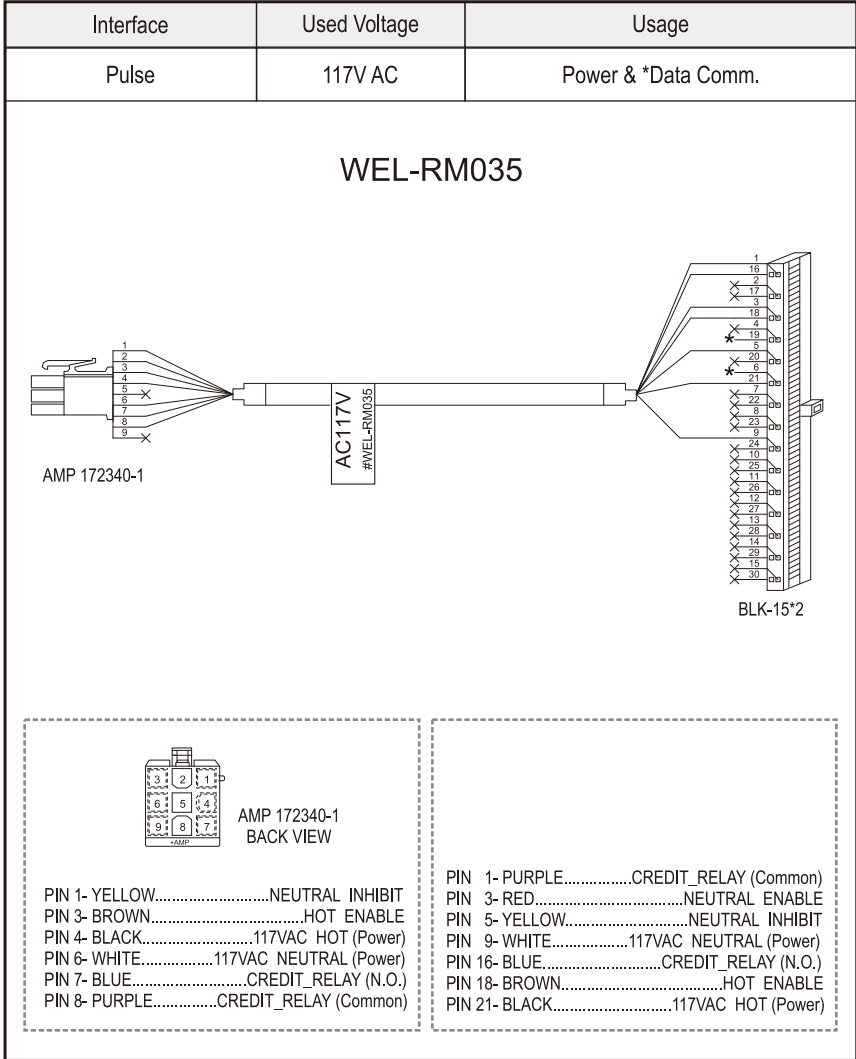
PIN 1- PURPLE.....CREDIT_RELAY (Common)
PIN 3- WHITE.....ENABLE-
PIN 5- YELLOW.....INHIBIT+
PIN 10- BROWN.....GND(Power)
PIN 16- BLUE.....CREDIT_RELAY (N.O.)
PIN 17- RED.....12V DC(Power)
PIN 18- BLACK.....ENABLE+
PIN 21- GREEN.....INHIBIT-

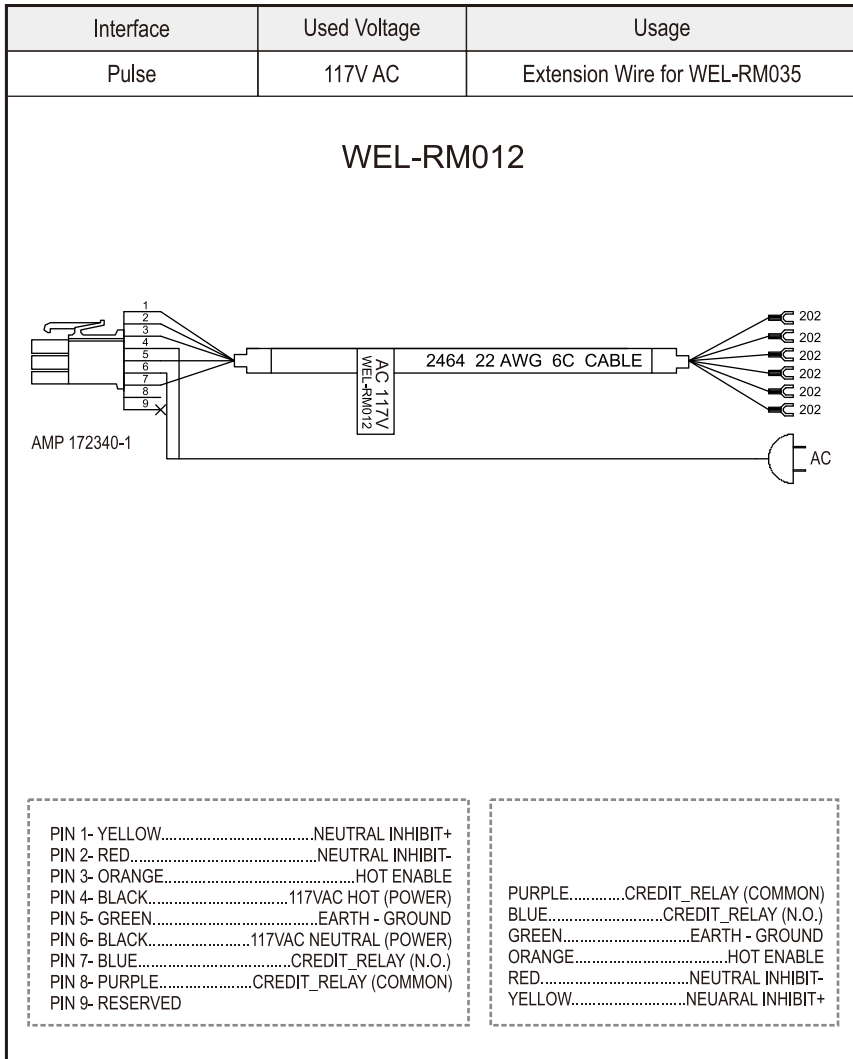
Interface	Used Voltage	Usage
Pulse	12V DC	Extension Wire for RM036
ICT Protocol, V2.2	12V DC	Extension Wire for RM036
RS232 A0	12V DC	Extension Wire for RM036

CU-R961-1

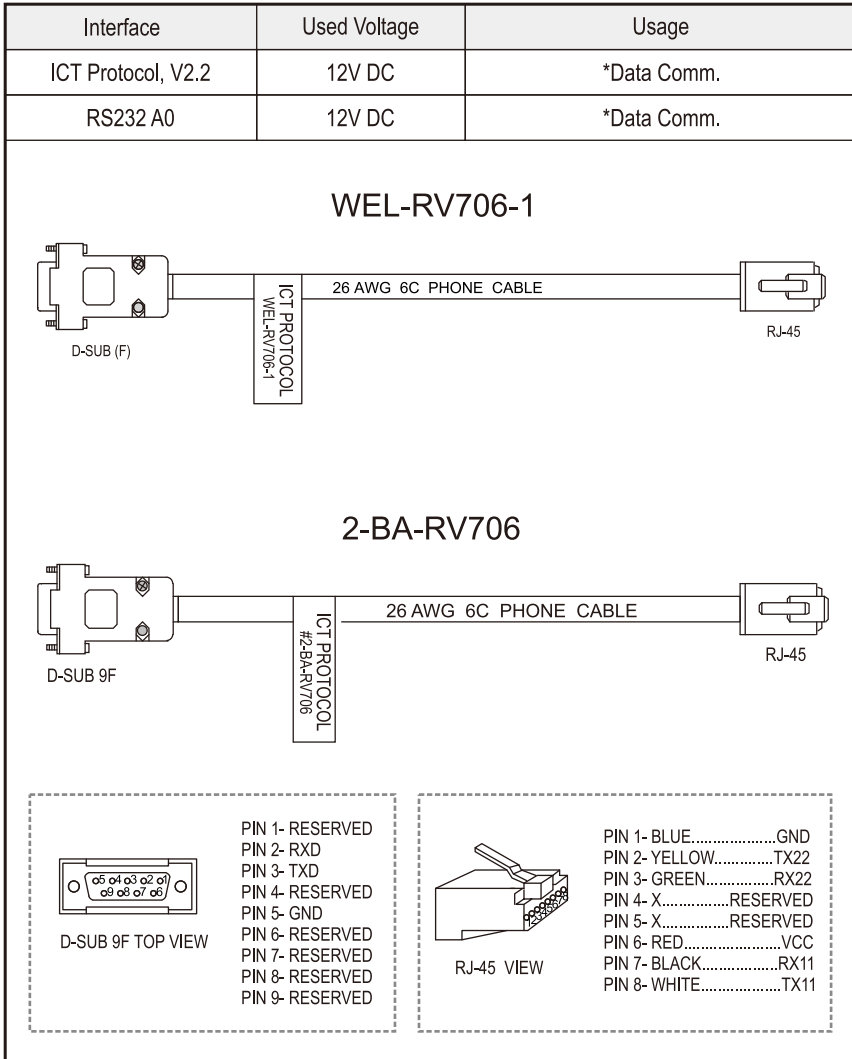


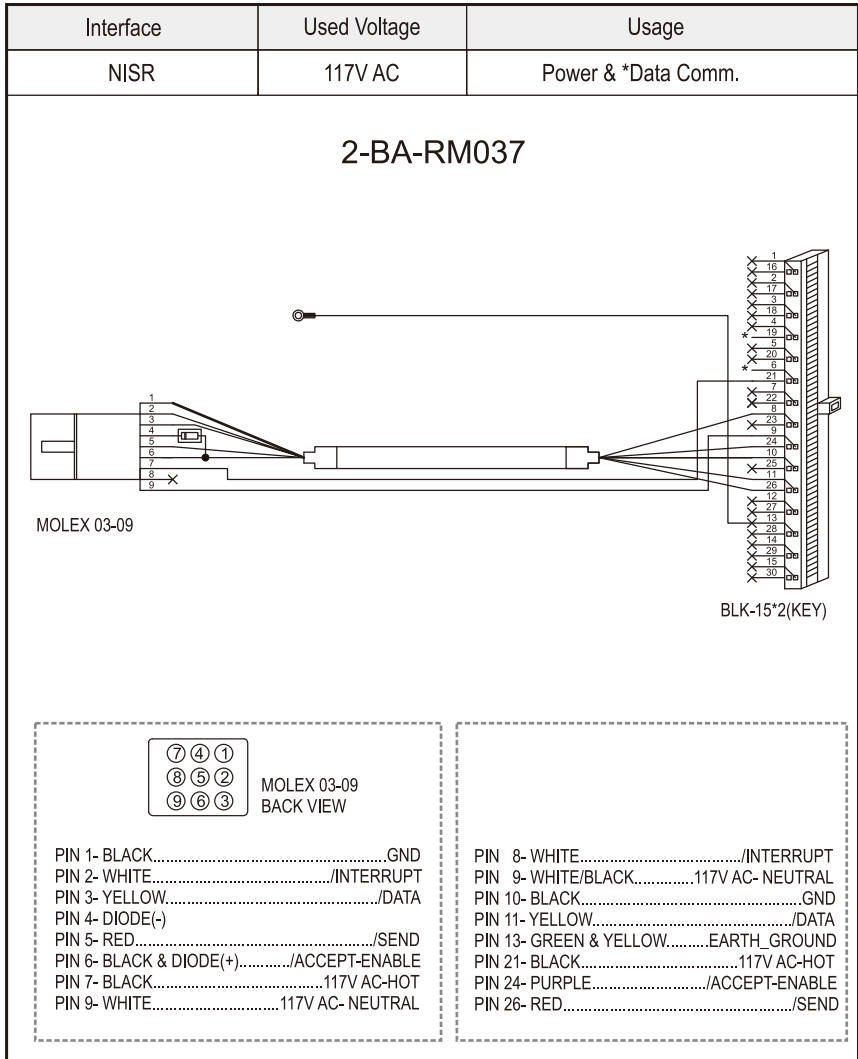
5-1 FIG.03



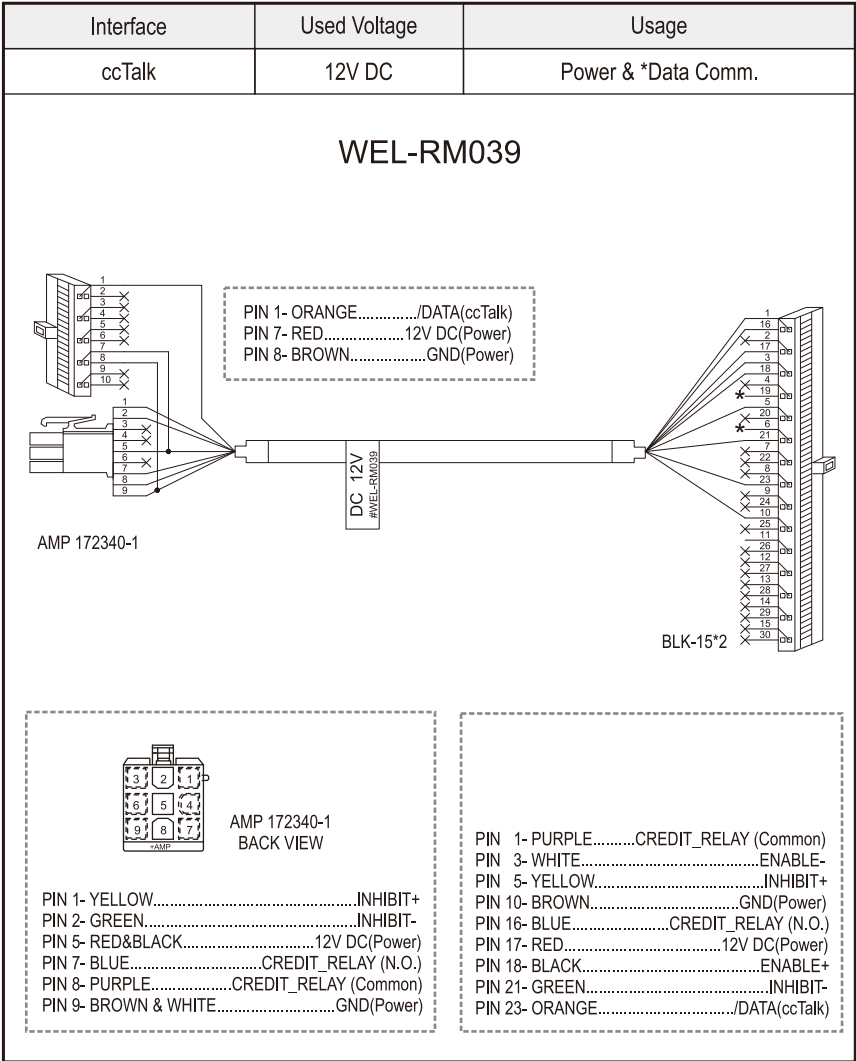


5-1 FIG.05





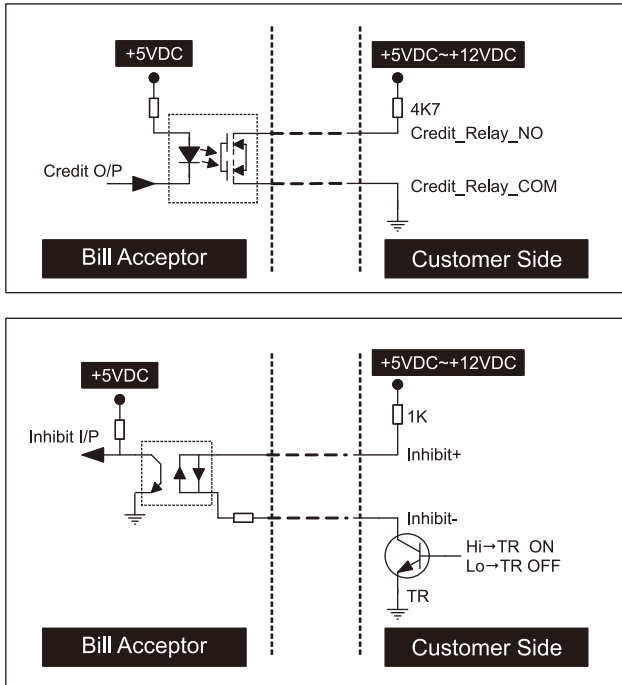
5-1 FIG.07



5-1-1. I/O Circuit

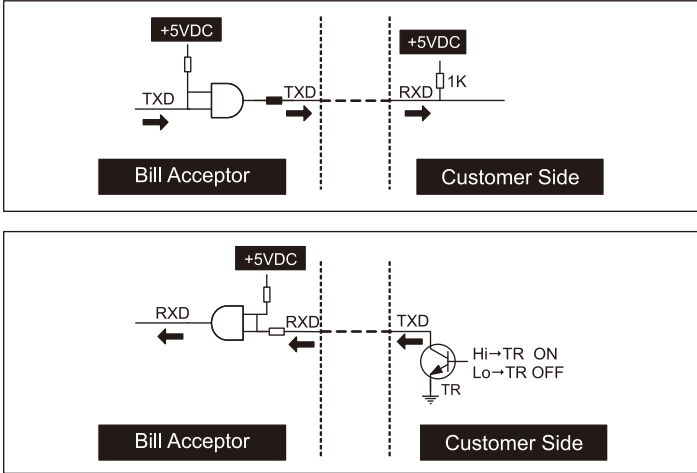
Pulse Interface.

5-1-1 FIG.01



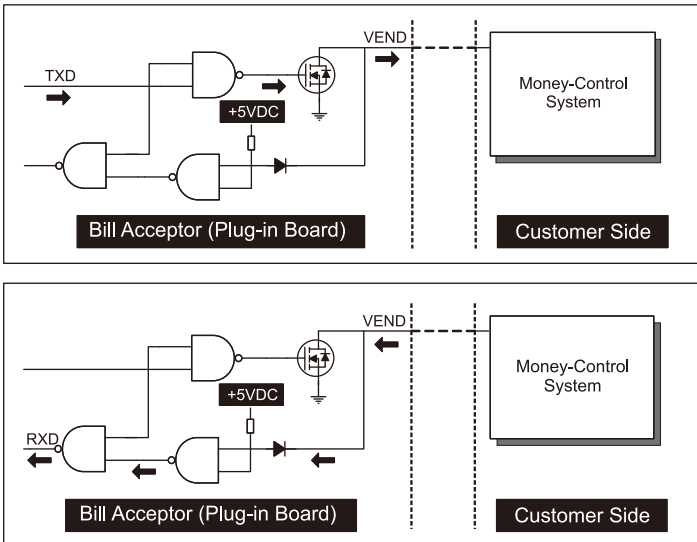
ICT Protocol<RS232> & V.2.2 Interface.

5-1-1 FIG.02



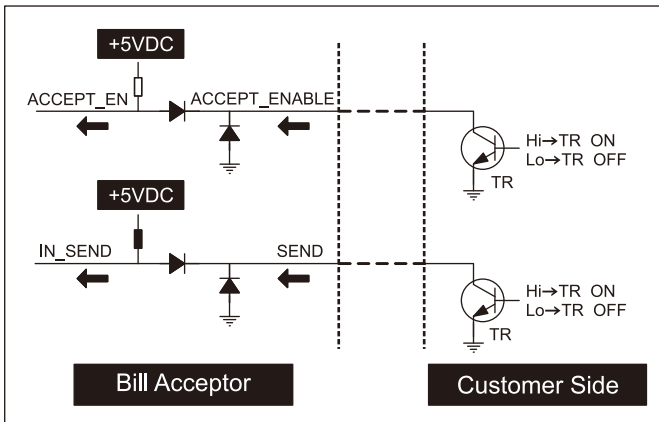
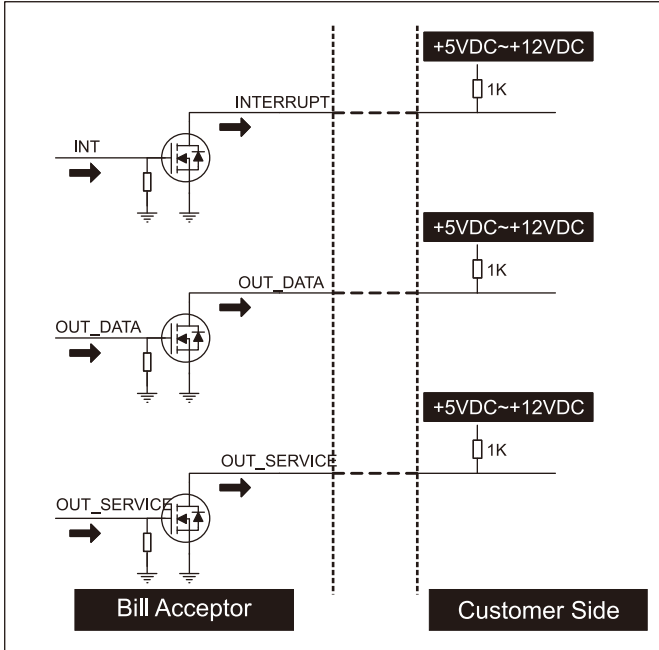
ccTalk Interface

5-1-1 FIG.03



NISR Interface.

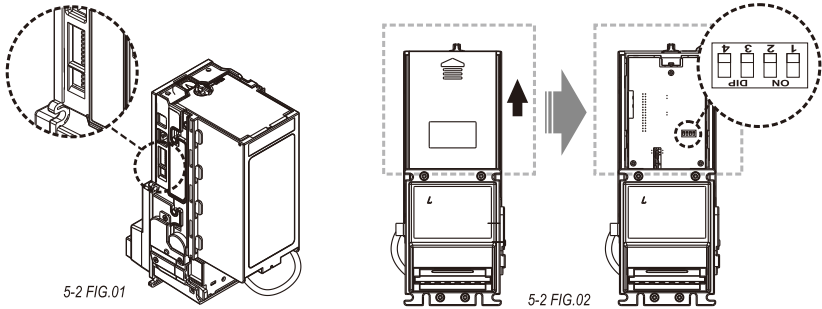
5-1-1 FIG.04



5-2. DIP Switch Setting

There are two serial DIP switches which are set on the side of LX7-A(as 5-2 FIG.01). According to different currencies which are used by users, DIP switch settings could be varied to fit users' needs. There is also a serial DIP switch on the base of the unit for inside interface settings (as 5-2 FIG.02).

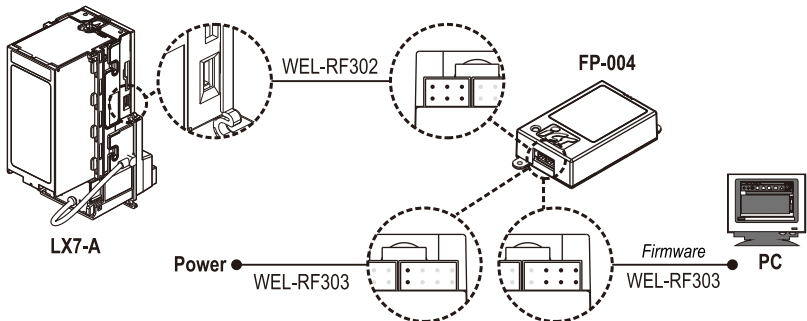
Please refer to “LX7-A DIP Switch Setting Guide” in the package for more details.



5-3. Software Download and Upgrade

To download and upgrade the software to LX7-A, the programmer (FP-004) is needed. Please contact ICT to purchase FP-004 and refer to FP-004 user guide for software download and upgrade information.

Please turn on Bill Acceptor after connecting.

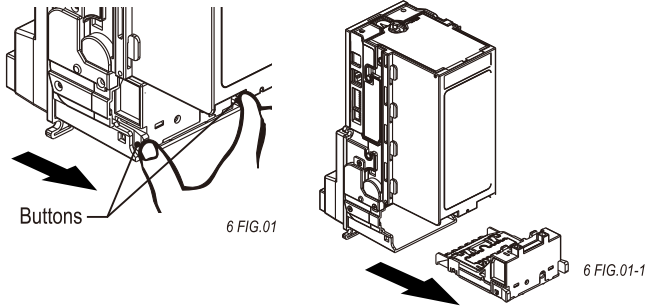


6. Maintenance

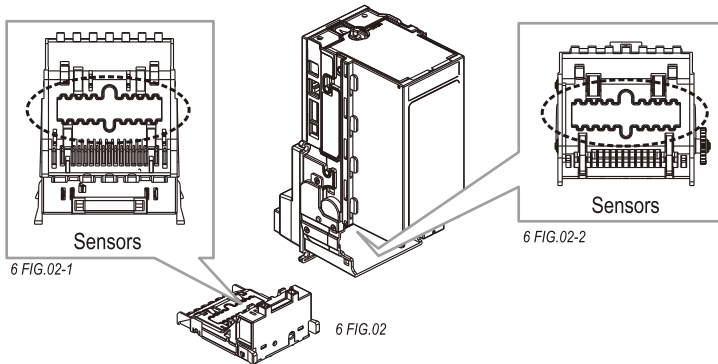
To make sure the bill acceptor always works smoothly, please clean the internal parts every two weeks to every two months.


To clean the internal parts:

1. Press the buttons on the sides of bill path and pull the unit out.



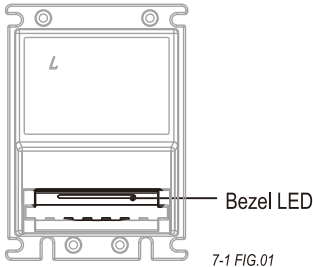
2. Use a soft, dry cloth or towel to clean the bill path and sensors.



	Maintenance Notice	
	<i>(Any improper maintenance will invalidate the warranty.)</i>	
	Recommended	Mild, non-abrasive, soap water.
DO NOT USE	Organic solvent , Alcohol, Volatile liquid.	

7. Trouble Shooting

7-1. Bezel LED Errors



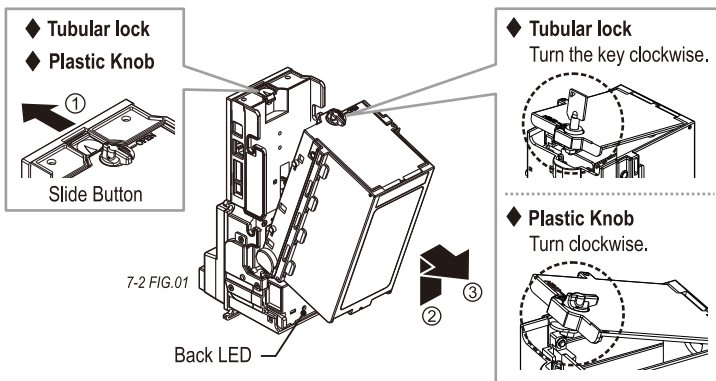
7-1 TABLE 01

LED Flashes		Status	Corrective Actions
Red	Green		
	1	White Card Calibration	Please calibrate with ICT white calibration card.
1		Bill jammed.	Remove the bill box by sliding the top button and the bill path (as 7-2 FIG.01), and then remove the jammed bill.
2		Disable.	Inspect the right DIP switch setting.
3		Recognition sensor module error.	Inspect the foreign objects on sensor or bill path and clean.
3+2		Hook sensor error.	Inspect the foreign objects on security hook and clean.
3+4		Out sensor error.	Inspect the foreign objects on sensor or bill path and clean.
4		Anti-string sensor error or a stringing attempt has detected.	Inspect the foreign objects on sensor or bill path and clean.
5		Bill box has been removed.	Replace the bill box.
6		Stacker error or stacker full.	Empty the bill box.
7		Motor error.	Inspect the foreign objects on bill path and clean.

7-2. Back LED Errors

7-2 TABLE 01

LED Flashes	Status	Corrective Actions
Green		
1	White Card Calibration	Please calibrate with ICT white calibration card.
1	Bill jammed.	Remove the bill box by sliding the top button and the bill path (as 7-2 FIG.01), and then remove the jammed bill.
2	Disable.	Inspect the right DIP switch setting.
3	Recognition sensor module error.	Inspect the foreign objects on sensor or bill path and clean.
3+2	Hook sensor error.	Inspect the foreign objects on security hook and clean.
3+4	Out sensor error.	Inspect the foreign objects on sensor or bill path and clean.
4	Anti-string sensor error or a stringing attempt has detected.	Inspect the foreign objects on sensor or bill path and clean.
5	Bill box has been removed.	Replace the bill box.
6	Stacker error or stacker full.	Empty the bill box.
7	Motor error.	Inspect the foreign objects on bill path and clean.



If the error can not be solved after corrective actions or it recurs, please contact ICT for technical support.

ict Taiwan

International Currency Technologies Corporation

No.28, Ln. 15, Sec. 6, Minquan E. Rd., Neihu Dist., Taipei City 114, Taiwan

sales@ictgroup.com.tw (For Sales)

fae@ictgroup.com.tw (For Customer Service)

Website: www.ictgroup.com.tw

