



1. Features

- 6 channels parallel output for each channel control available.
- Support one coin with multi pulse output.
- Fast or slow pulse speed selection available.
- NO/ NC for various machine setting in inhibit and pulse function.

2. Specifications

Power	10V~16V DC
Power Consumption	Standby : Approx. 0.6 W Operation: Approx. 3.6 W Maximum: 5 W
Acceptance Coin Size	Diameter : 18.5~29 mm Thickness: 1.3~3.3 mm
Operation Environment	Operation- Temperature: 0°C~55°C Humidity: 30%~85% RH (no condensation) Storage - Temperature: -25°C~+70°C Humidity: 10%~93% RH (no condensation)
Transaction Speed	Up to 6 coins/sec (single coin mode)* Up to 3 coins/sec (multi coins mode)* *Please refer to P.4 Note.2.
Weight	Approx. 250 g (Net Weight)

Installation Indoor, Vertical, Max. Deviation: ±2°
Channels 8 channels

*Maintenance Notice:

⚠	OK	Mild, non-abrasive, soap water.
	DO NOT USE	Organic solvent , Alcohol, Volatility liquid

3. Accessory

SCA1 Pulse/ Parallel Coin Acceptor	X 1
10 PIN Signal Wire (Parallel)	X 1
User Manual	X 1
5 PIN or 6 PIN Signal Wire (Pulse)	X 1

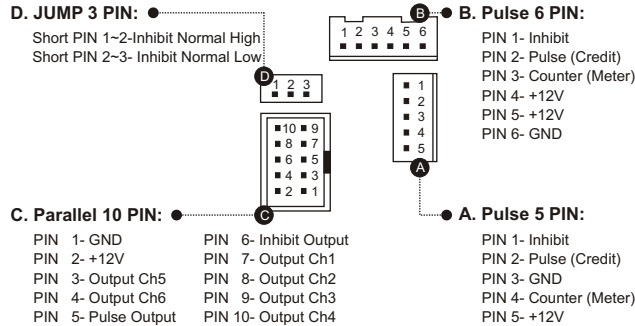
4. Pulse Table

Before setup pulse, please switch DIP Switch to Operation Mode.
(Please refer to **DIP Switch Setting** Table 3 for Operation Mode setup.)

Table 1

DIP SW	Pulse Ratio				Pulse (Bonus)			
	1	2	3	4	5	6	7	8
CH1	1/2	1/4	1	1	1/2	1/2	1/2	1/4
CH2	1	1/2	1	1	1	1	1	1/2
CH3	1	1/2	2	2	1	3	2	1+1/2
CH4	2	1	4	2	2	5+1	4+1	2+1
CH5	4	2	8	4	4+1	10+2	5+1	4+2
CH6	5	2	8	4	N/A	N/A	8+2	5+2
CH7	8	4	10	10	N/A	N/A	10+2	N/A
CH8	10	5	10	10	N/A	N/A	N/A	N/A

5. PIN Assignment



6. DIP Switch Setting

CH	DIP SW	SW1	SW2	SW3	OUT
CH1		OFF	OFF	OFF	1
CH2		ON	OFF	OFF	2
CH3		OFF	ON	OFF	3
CH4		ON	ON	OFF	4
CH5		OFF	OFF	ON	5
CH6		ON	OFF	ON	6
CH7		OFF	ON	ON	6
CH8		ON	ON	ON	6

Table 2

Note.1: (1) SW1~SW3 only work in Study Mode.
 (2) To setup Euro, CH3_50 cent, CH4_€1, CH5_€2 is recommended.

MODE	DIP SW	SW4	SW5
Operation Mode	Pulse Speed 50ms	OFF	OFF
	Pulse Speed 100ms	ON	OFF
Study Mode		ON	ON

Table 3

MODE	DIP SW	SW6
Pulse Normal High		ON
Pulse Normal Low		OFF

Table 4

7. How to Setup Channels?

- A. Erase the old setups first.**
- Turn off SCA1.
 - Switch SW4 & SW5 to Study Mode (refer to Table 3).
 - Turn on SCA1, after SCA1 click one time, switch SW5 to OFF.
 - Switch SW5 to ON, when SCA1 clicks 3 times, the erase procedure is complete.
- B. Setup the new channels.**
- Turn off SCA1.
 - Make sure SCA1 is in Study Mode (refer to Table 3).
 - Switch SW1~SW3 to the channel you would like to setup (refer to Table 2).
 - Turn ON SCA1.
 - Put 10 of the same value coins you would like to setup in:
 - SCA1 Clicks 3 times:** Setup is complete. Repeat Step 3 to continue on the next channel setup.
 - SCA1 Click 6 times :** Setup is failed. Repeat Step 4 until setup is complete.
 - Turn off SCA1 and then switch SW4 & SW5 to Operation Mode (refer to Table 3).
 - Turn on SCA1, and it's ready to work.

Note. 2: When user only setup one channel, system will automatically enter single coin mode; when user setup more than one channel, system will automatically enter multi coins mode.